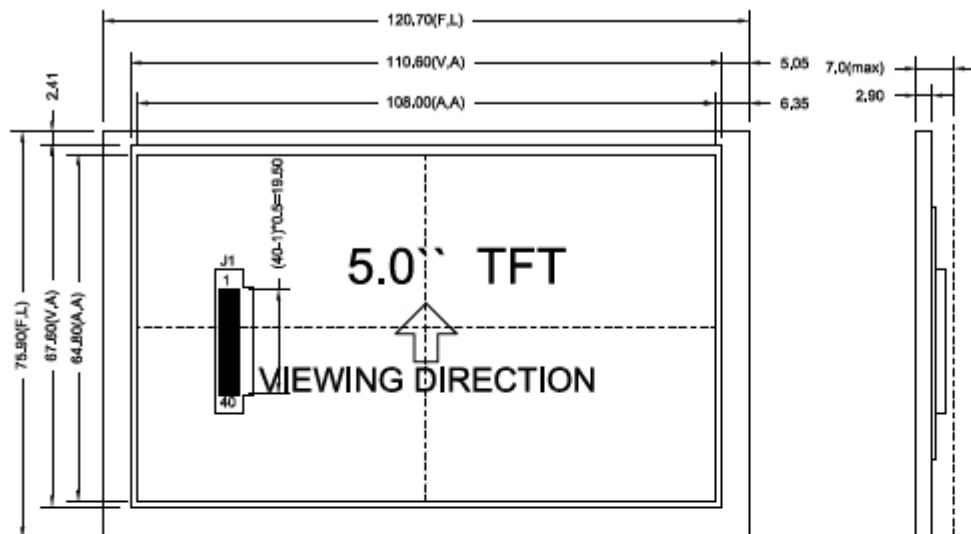




Customer approval :



Pin	J1
1	VSS
2	VDD
3	NC
4	AVR
5	IRD
6	ICS
7	RS
8	IRST
9	DB0
10	DB1
11	DB2
12	DB3
13	DB4
14	DB5
15	DB6
16	DB7
17	DB8
18	DB9
19	DB10
20	DB11
21	DB12
22	DB13
23	DB14
24	DB15
25	INT
26	Wsk
27	NC
28	NC
29	NC
30	NC
31	NC
32	NC
33	NC
34	NC
35	NC
36	NC
37	ICL
38	SDI
39	SDO
40	SCS

Specification:

- 1). Driving:TFT, DotS:800*480&480*272, VDD:5V&3.3V
- 2). Viewing Direction:6 O'clock
- 3). Display mode:Normally White, Transmissive
- 4). Operating temp.: -20° C~+70° C
Storage temp.: -30° C~+80° C
- 5). Controller IC: RA8875
- 6). Backlight: White
- 7). Dimensions with mark "*" are important, with mark "()" are referenced
- 8). All the raw materials are RoHS compliant

REV	REVISION RECORD	DATE	 深圳市三元晶科技有限公司 ShenZhen TCCLCD HI-Tech Co., Ltd.				
A	FIRST ISSUE	2015/11/08	MODEL NO. 模组型号	SYC480272D050V8850	GENERAL TOL: 未注公差	±0.3	
B			APPROVED BY 审核	CHECKED BY 检查	DRAWING BY 绘图	PAGE: 页面1 OF 1	UNIT: 单位:mm
C			Liu 2015/11/08	Francis 2015/11/08	Luoxian 2015/11/08	PROJECTION 三角法	
D							